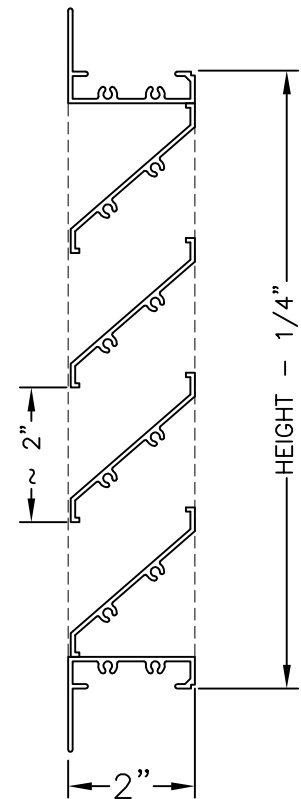
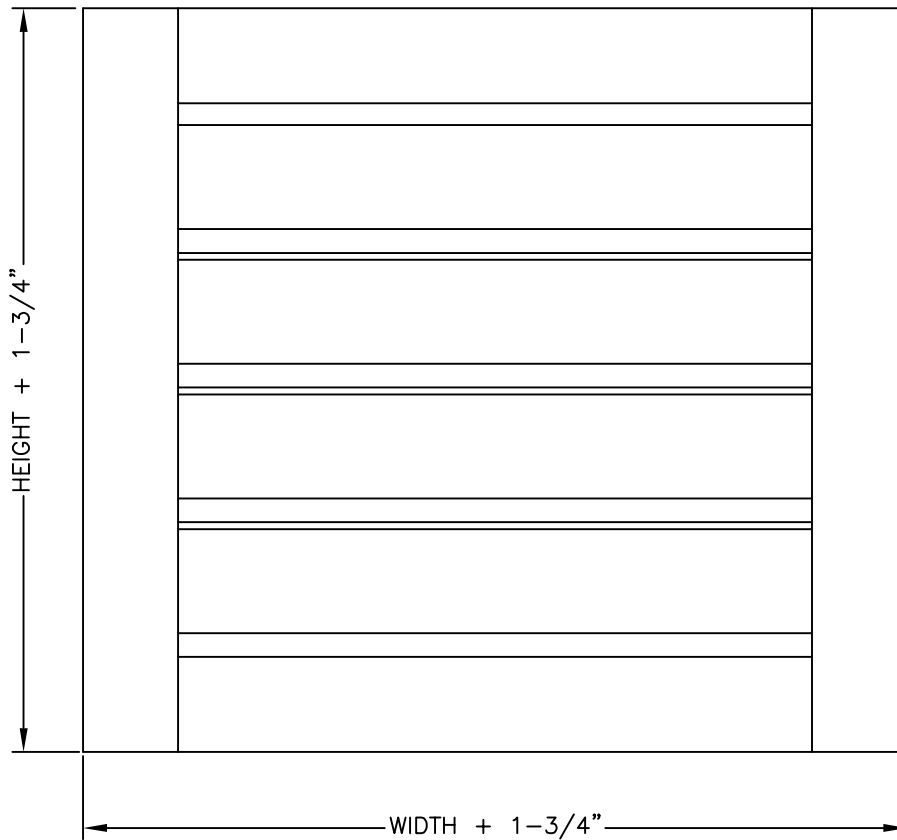


# MODEL 245

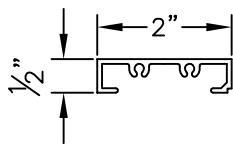
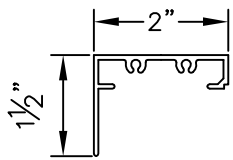
FIXED 2" LOUVER  
with Standard Blades at 45°

Office: (780) 485-5535  
Facsimilie: (780) 485-5156



### FLANGE FRAME 245F (shown)

### CHANNEL FRAME 245C



## SPECIFICATIONS

#### FRAME

EXTRUDED ALUMINUM CHANNEL .070" THICKNESS.

#### BLADES

EXTRUDED ALUMINUM .070". FIXED AT 45° ANGLE.

#### CONSTRUCTION

ASSEMBLED WITH CADMIUM PLATED STEEL SCREWS.

#### BIRDSCREEN

GALVANIZED SQUARE MESH FASTENED ON INSIDE FACE.

1/4" X 1/4" STANDARD  
1/2" X 1/2" OPTIONAL  
1" X 1" OPTIONAL

#### SIZE

MAXIMUM 48" IN WIDTH, MULTIPLE SECTIONS MADE OF EQUAL SIZES.

QTY.	WALL OPENING		LOUVER SIZE	
	WIDTH	HEIGHT	WIDTH	HEIGHT

PROJECT	
DATE	
ENGINEER	
CONTRACTOR	FILE #
SUPPLIER	DWG. #