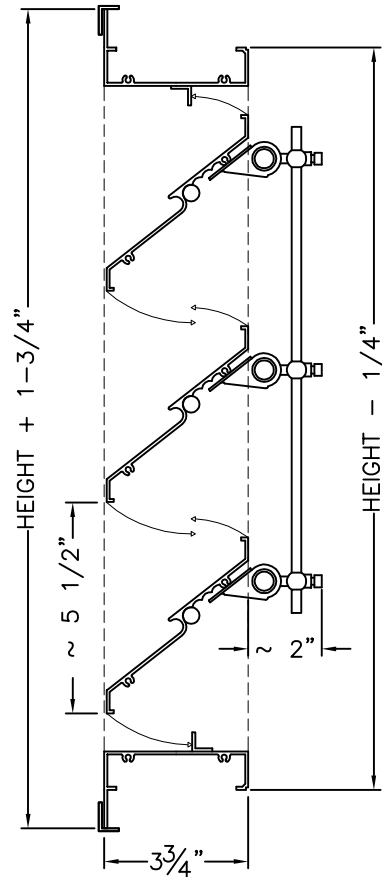
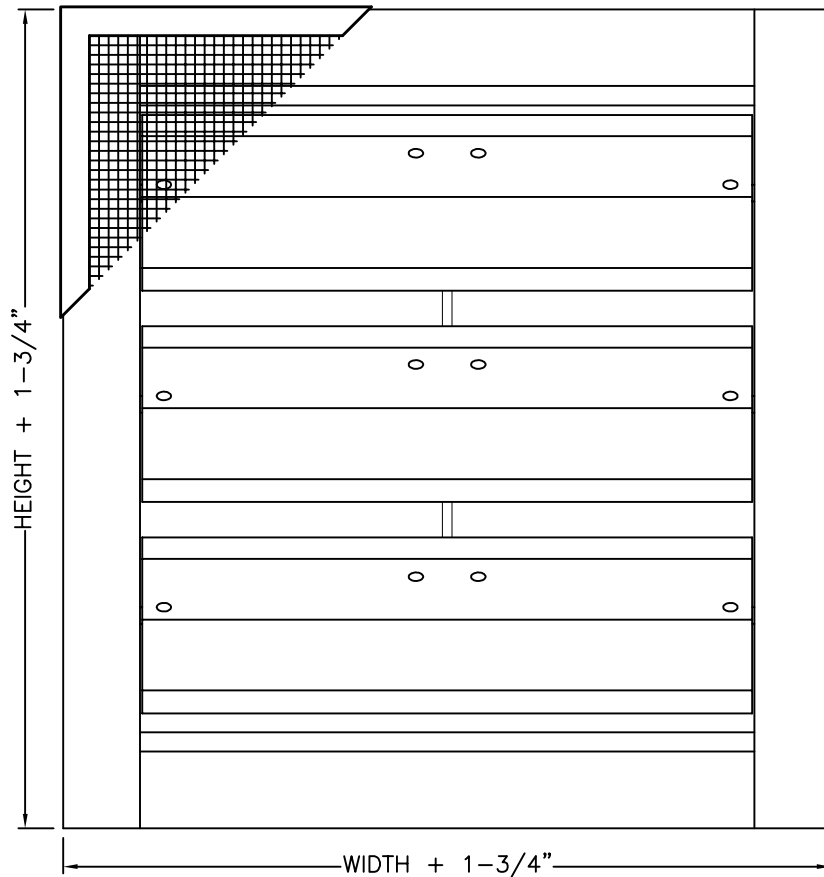


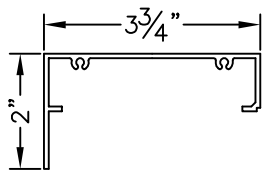
MODEL 445A

ADJUSTABLE 4" LOUVER
with Weather Stop Blades

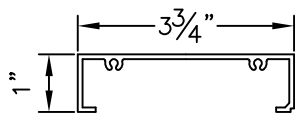
Office: (780) 485-5535
Facsimilie: (780) 485-5156



FLANGE FRAME 445AF (shown)



CHANNEL FRAME 445AC



SPECIFICATIONS

FRAME

EXTRUDED ALUMINUM CHANNEL .081" THICKNESS.

BLADES

EXTRUDED ALUMINUM .081". WITH WEATHER STOP. LINKED AND ADJUSTABLE.

CONSTRUCTION

ASSEMBLED WITH CADMIUM PLATED STEEL SCREWS.

BEARINGS

7/16" OILITE BUSHINGS.

AXLES

CADMIUM PLATED COLD ROLLED STEEL PINS.

BIRDSCREEN

GALVANIZED SQUARE MESH FASTENED ON OUTSIDE FACE.

1/4" X 1/4" STANDARD (shown)
1/2" X 1/2" OPTIONAL
1" X 1" OPTIONAL

SIZE

MAXIMUM 48" IN WIDTH,
MULTIPLE SECTIONS MADE OF
EQUAL SIZES.

QTY.	WALL OPENING		LOUVER SIZE	
	WIDTH	HEIGHT	WIDTH	HEIGHT

PROJECT	
DATE	
ENGINEER	
CONTRACTOR	FILE #
SUPPLIER	DWG. #