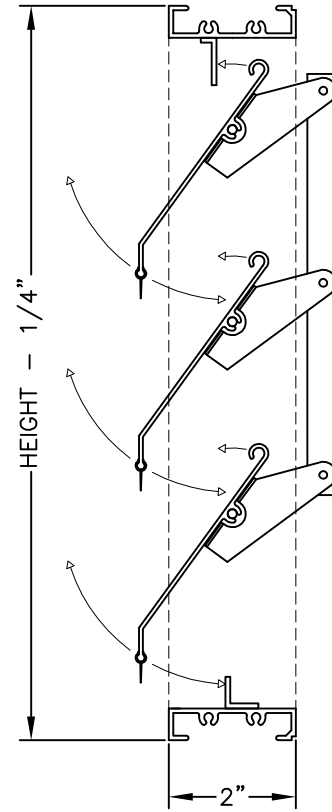
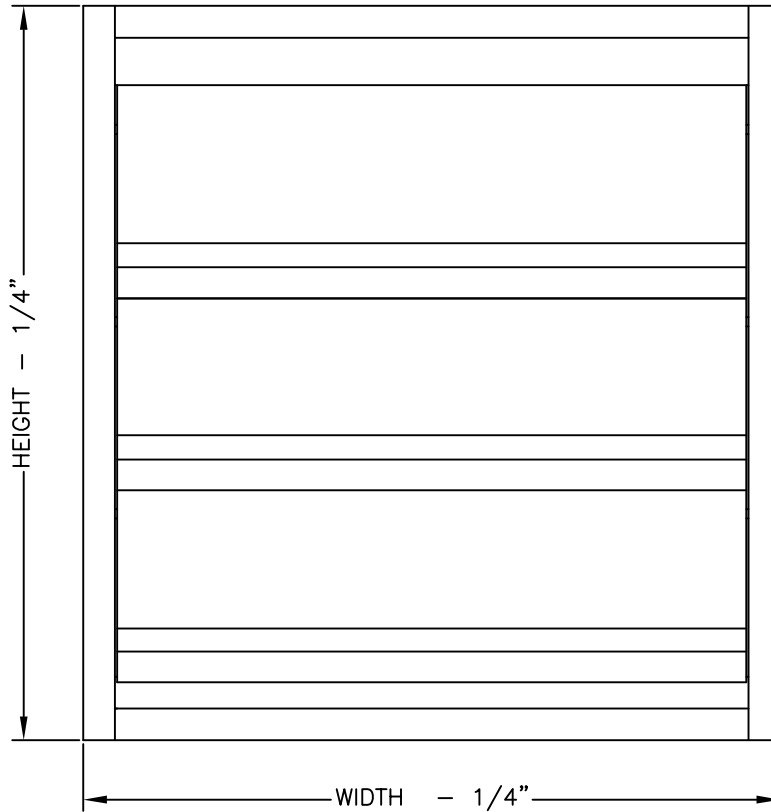


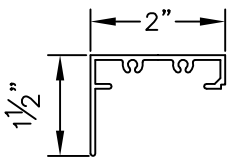
# MODEL BDD

2" BACK DRAFT DAMPER  
with Inside Linkage

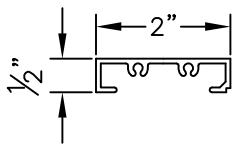
Office: (780) 485-5535  
Facsimilie: (780) 485-5156



### FLANGE FRAME BDDF



### CHANNEL FRAME BDDC (shown)



## SPECIFICATIONS

- FRAME** EXTRUDED ALUMINUM CHANNEL .070" THICKNESS.
- BLADES** EXTRUDED ALUMINUM .060". REAR MOUNTED ALUMINUM LINKAGE. VINYL BLADESEAL.
- CONSTRUCTION** ASSEMBLED WITH CADMIUM PLATED STEEL SCREWS.
- BEARINGS** 3/16" NYLON BUSHINGS.
- AXLES** 3/16" STAINLESS STEEL PINS.
- COUNTERWEIGHT** ADJUSTABLE COUNTERWEIGHT IS AVAILABLE FOR DAMPERS WITH LINKAGE.
- SIZE** MAXIMUM 48" IN WIDTH. MULTIPLE SECTIONS MADE OF EQUAL SIZES.

QTY.	WALL OPENING		LOUVER SIZE	
	WIDTH	HEIGHT	WIDTH	HEIGHT

PROJECT	
DATE	
ENGINEER	
CONTRACTOR	FILE #
SUPPLIER	DWG. #